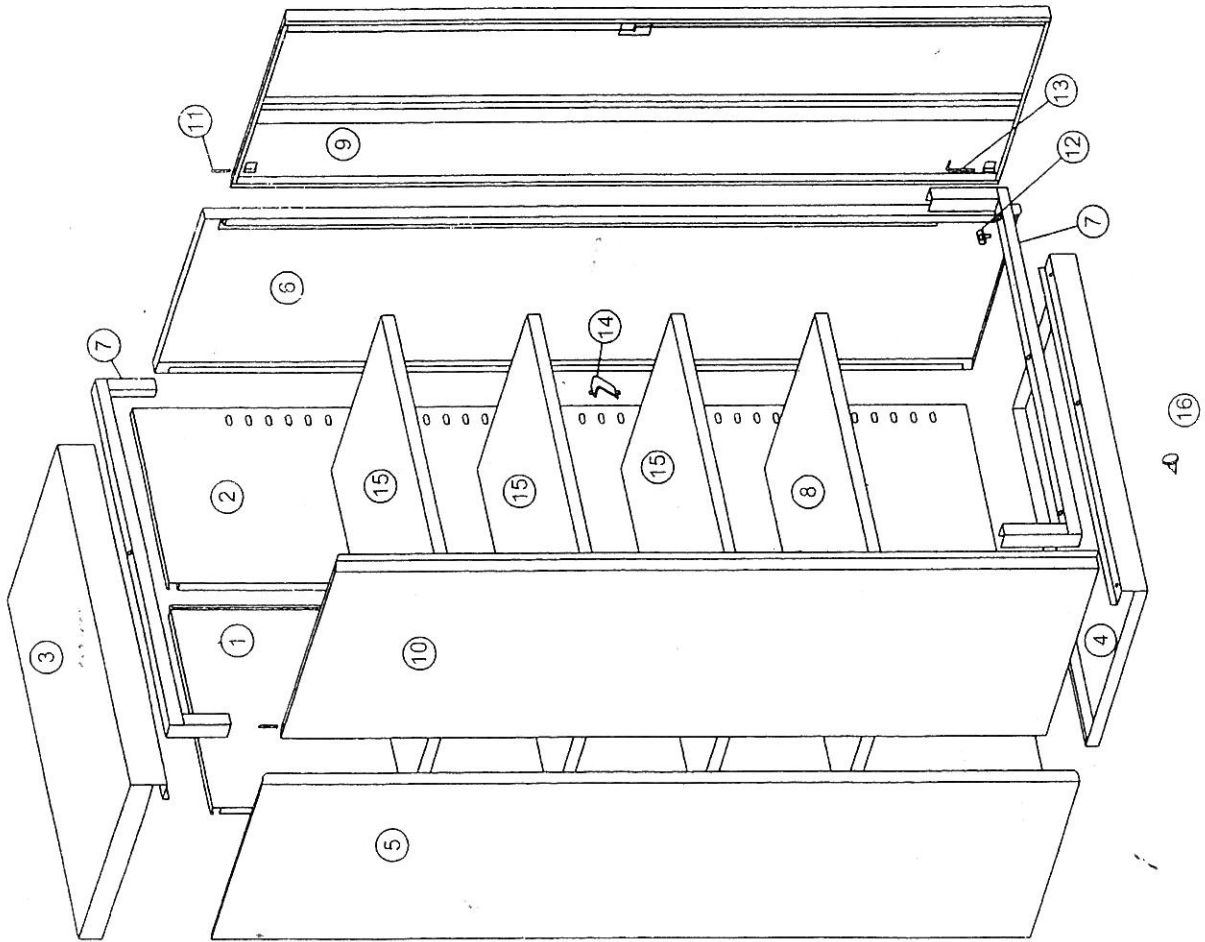
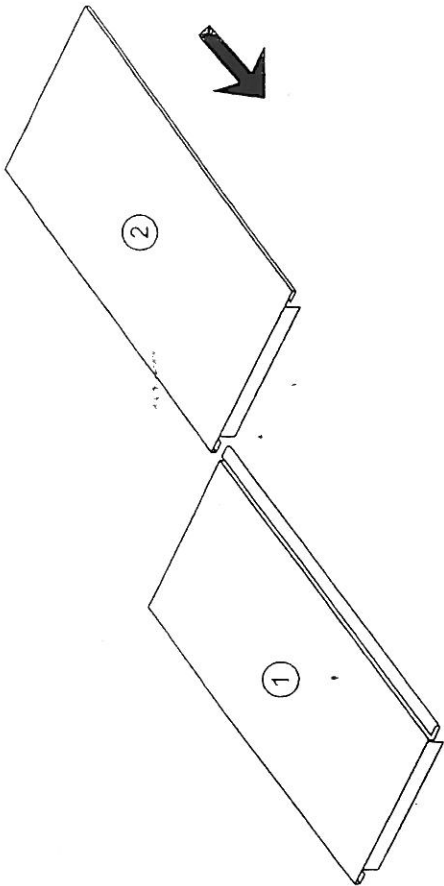


PARTS LIST & Assembly instruction S. SWED

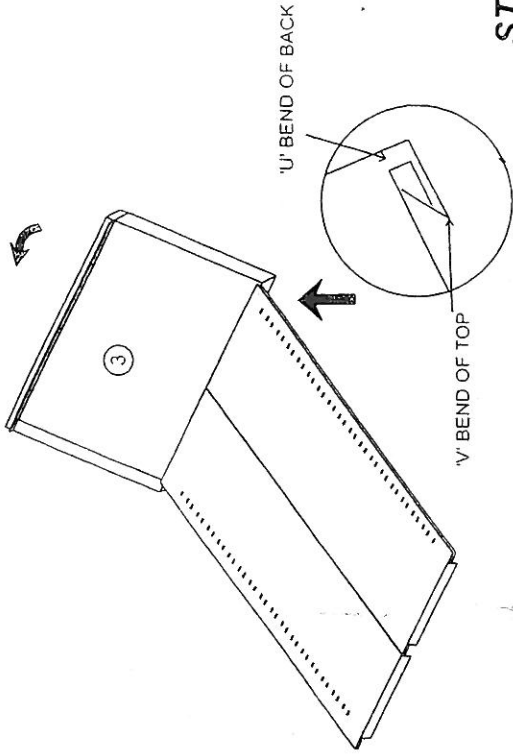
PART LIST

S No.	Component	Qty.
1.	LH BACK	01
2.	RH BACK	01
3.	TOP	01
4.	BOTTOM	01
5.	LH SIDE	01
6.	RH SIDE	01
7.	"U" FRAM	02
8.	BOTTOM	01
9.	RH DOOR	01
10.	LH DOOR	01
11.	TOP HINGE PIN	02
12.	BOTTOM HINGE BUSH	02
13.	BOTTOM HINGE	02
14.	SHELF SUPPORTS	09
15.	SHELF	03
16.	DOOR BANGERS	02

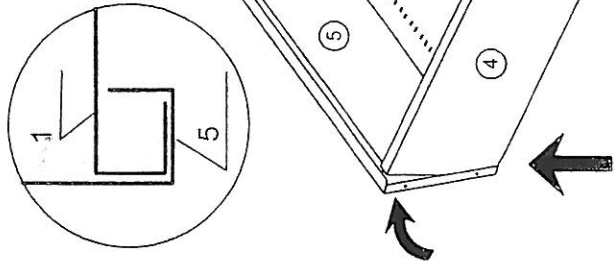




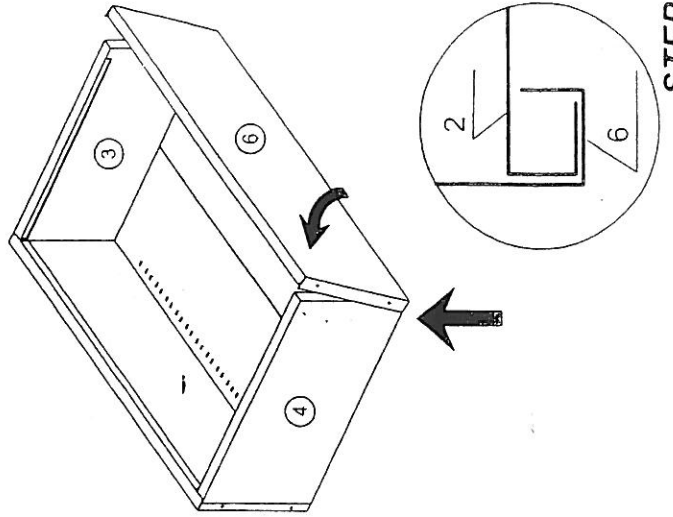
STEP-1



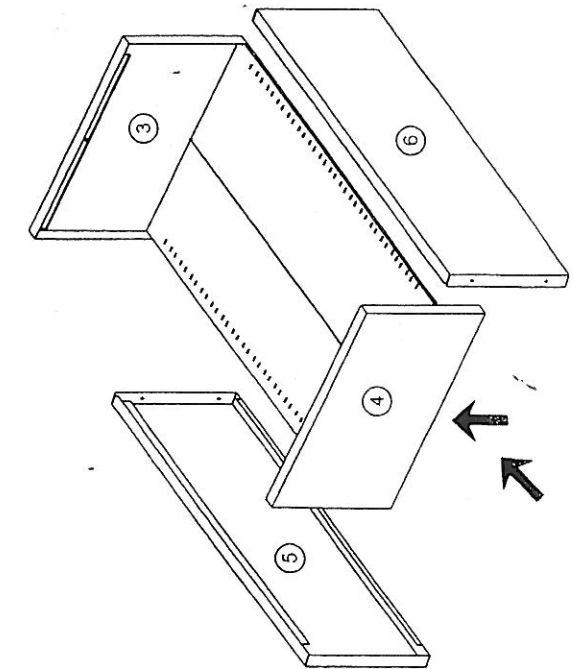
STEP-2



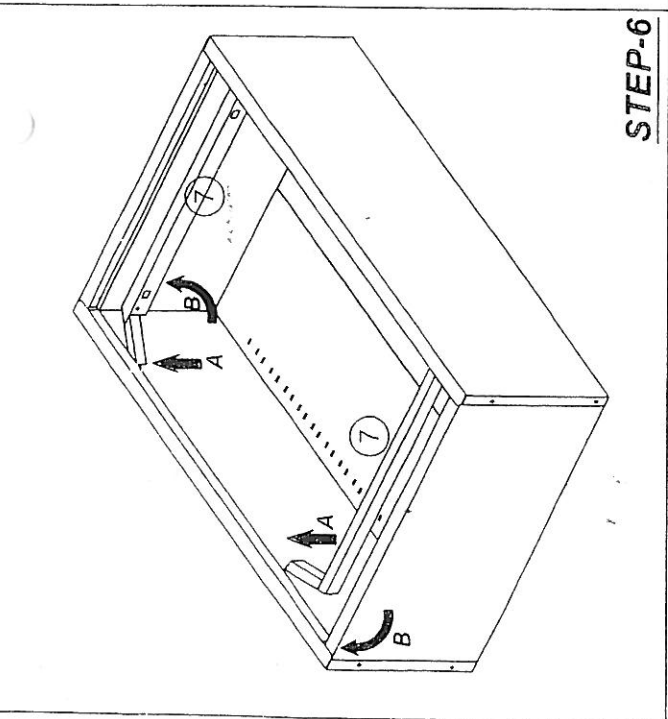
STEP-3



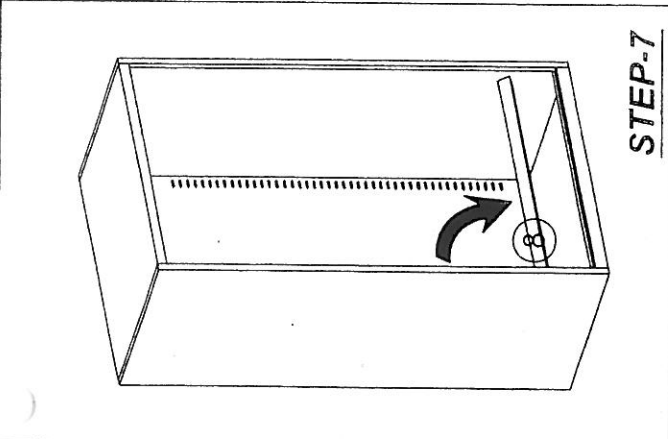
STEP-4



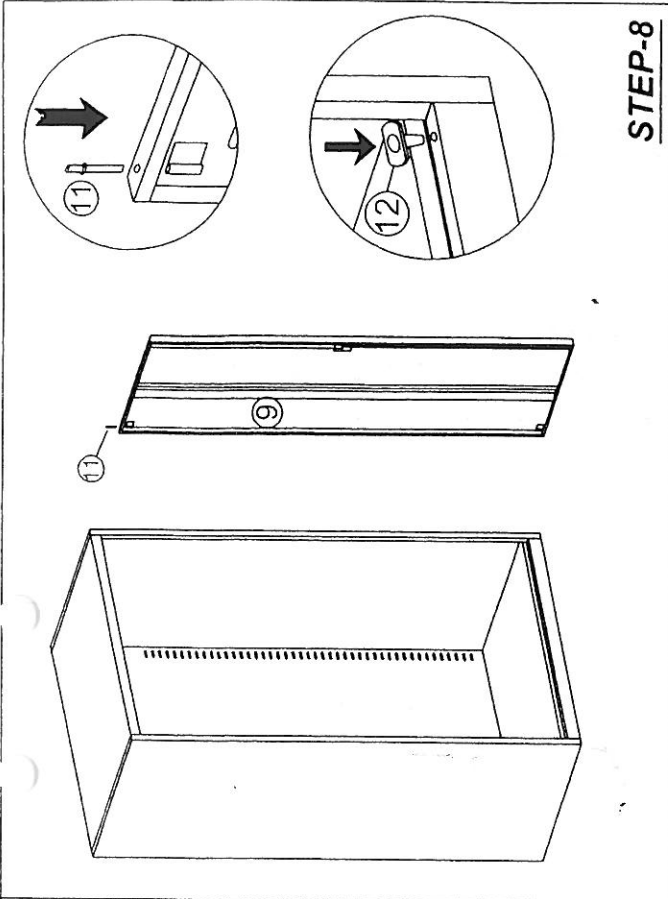
STEP-5



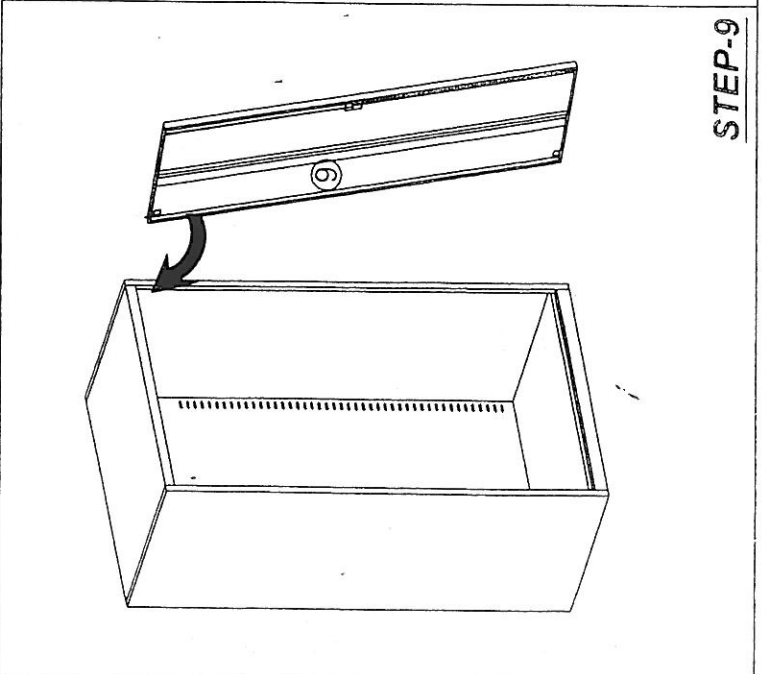
STEP-6



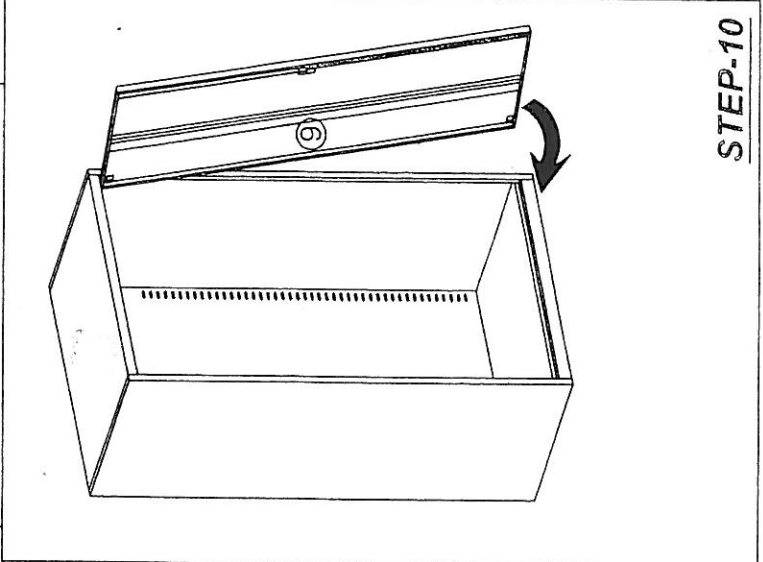
STEP-7



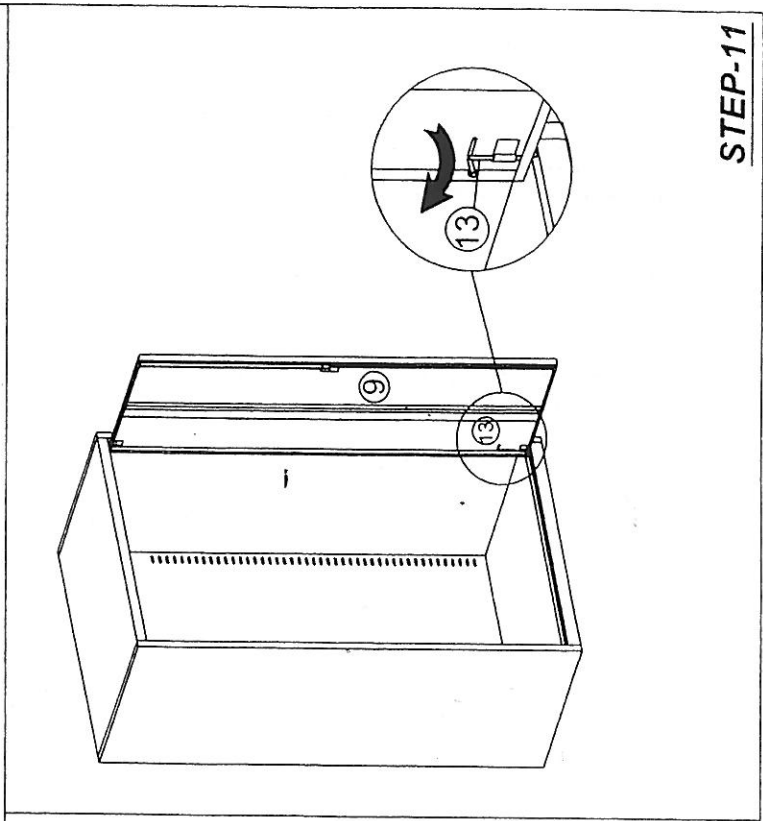
STEP-8



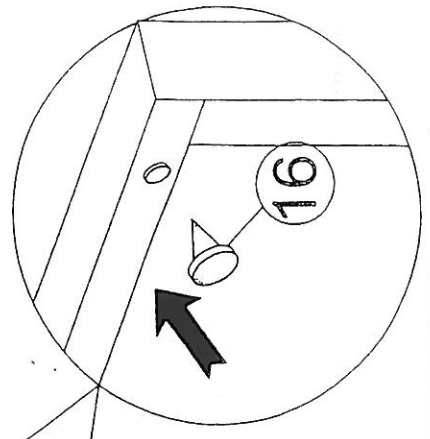
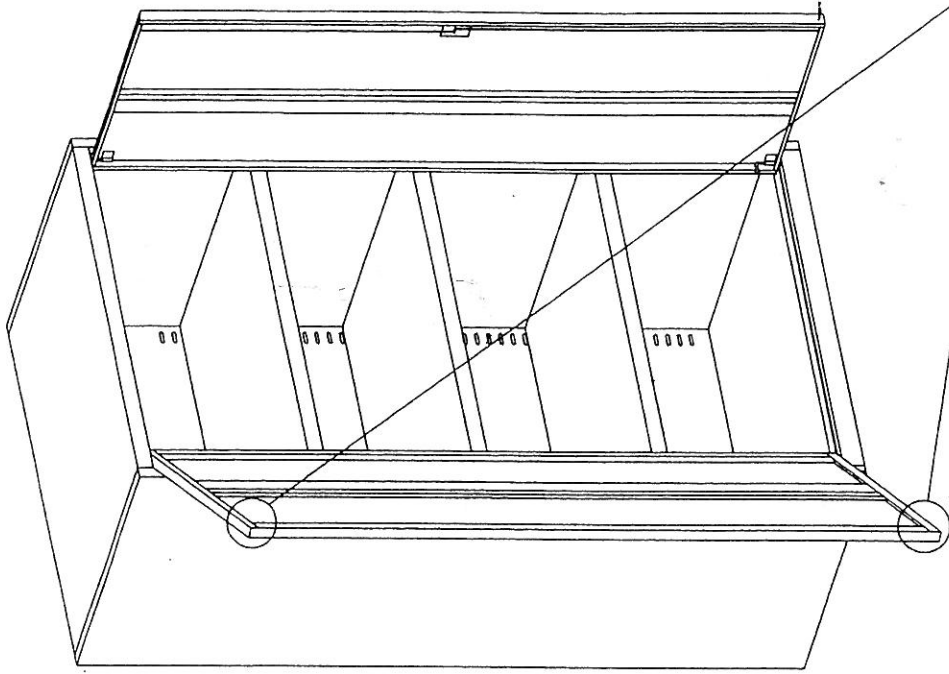
STEP-9



STEP-10

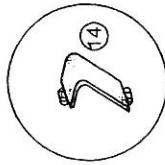
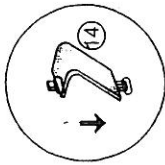
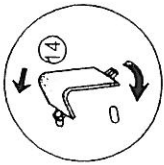
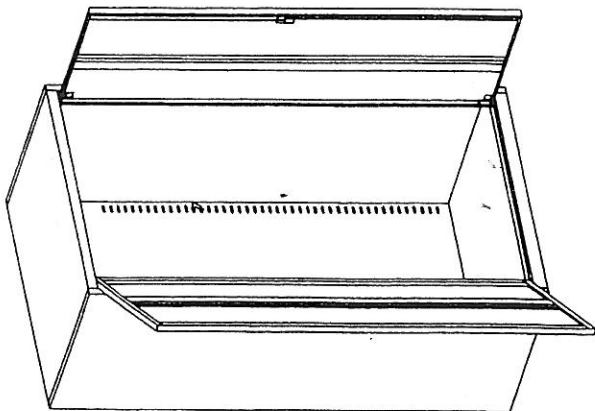


STEP-11

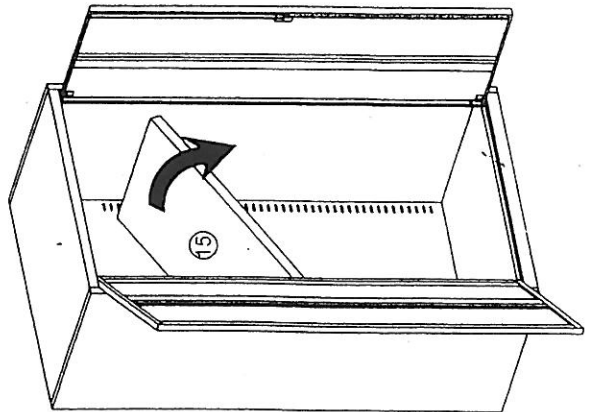


© 2004 Kwik-Kool, Inc. All rights reserved.

STEP-12



STEP-13



15